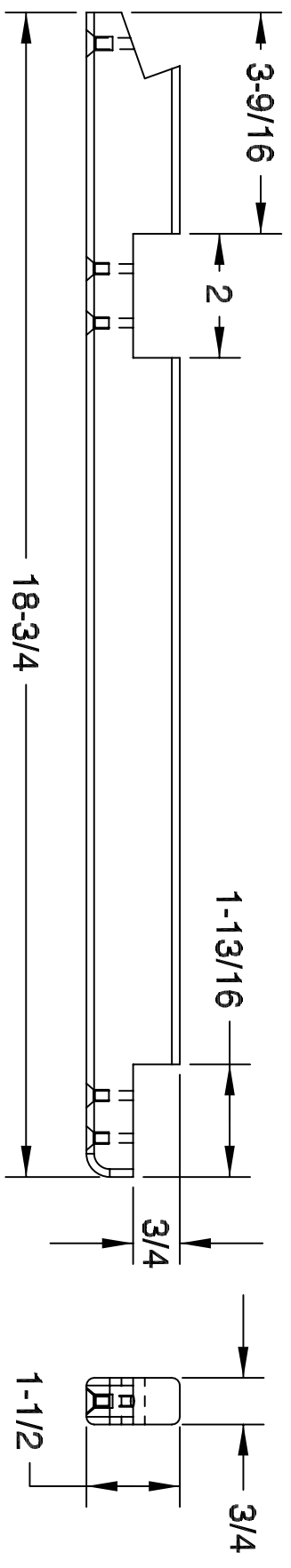
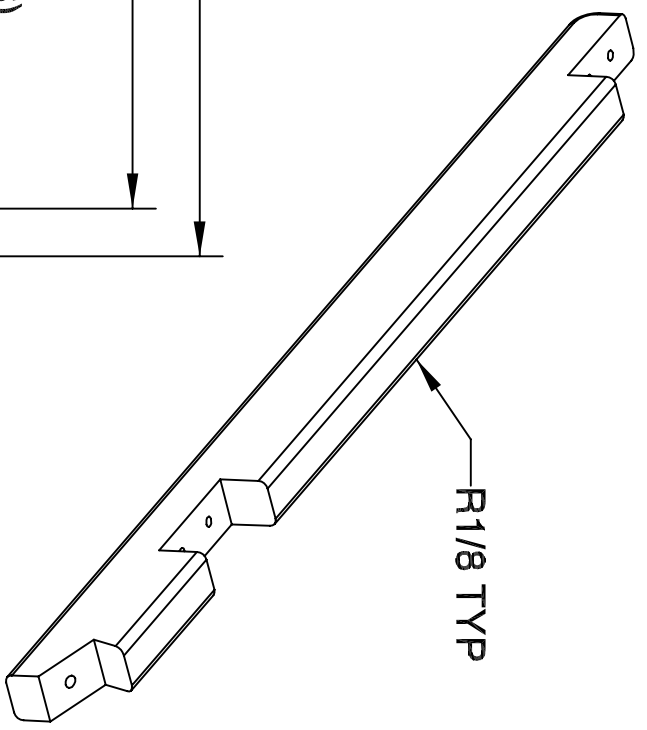
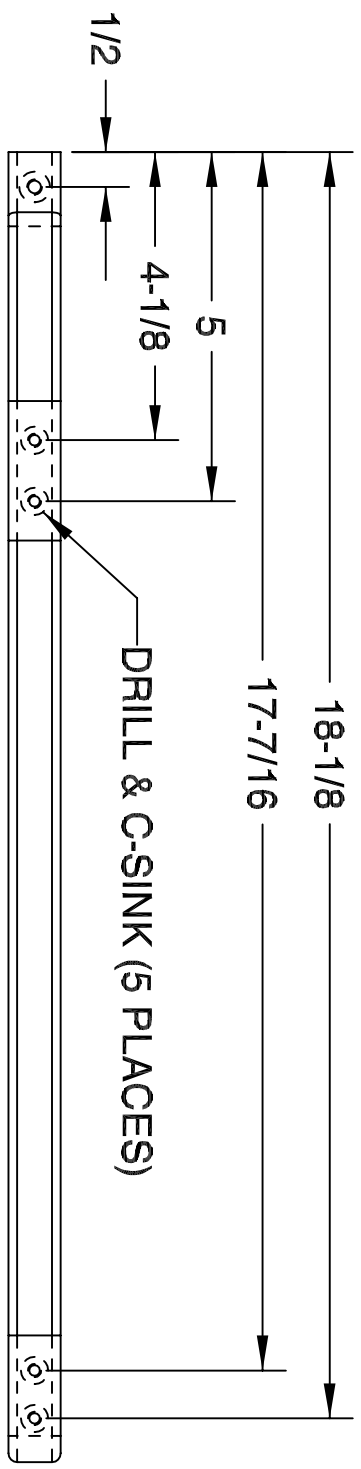
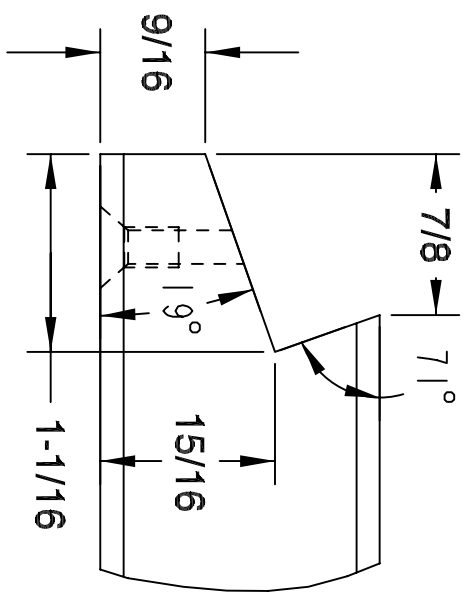


MTL	SIZE	QTY
OAK	3/4 x 1 1/2 x 18 3/4	2

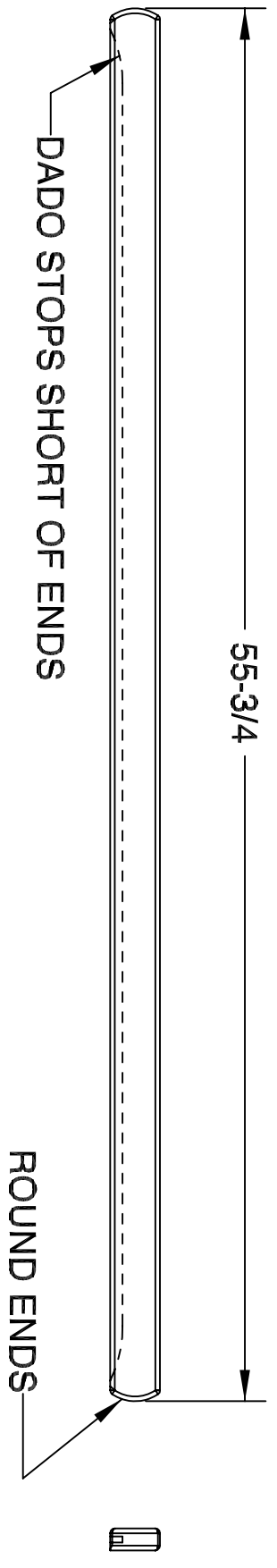
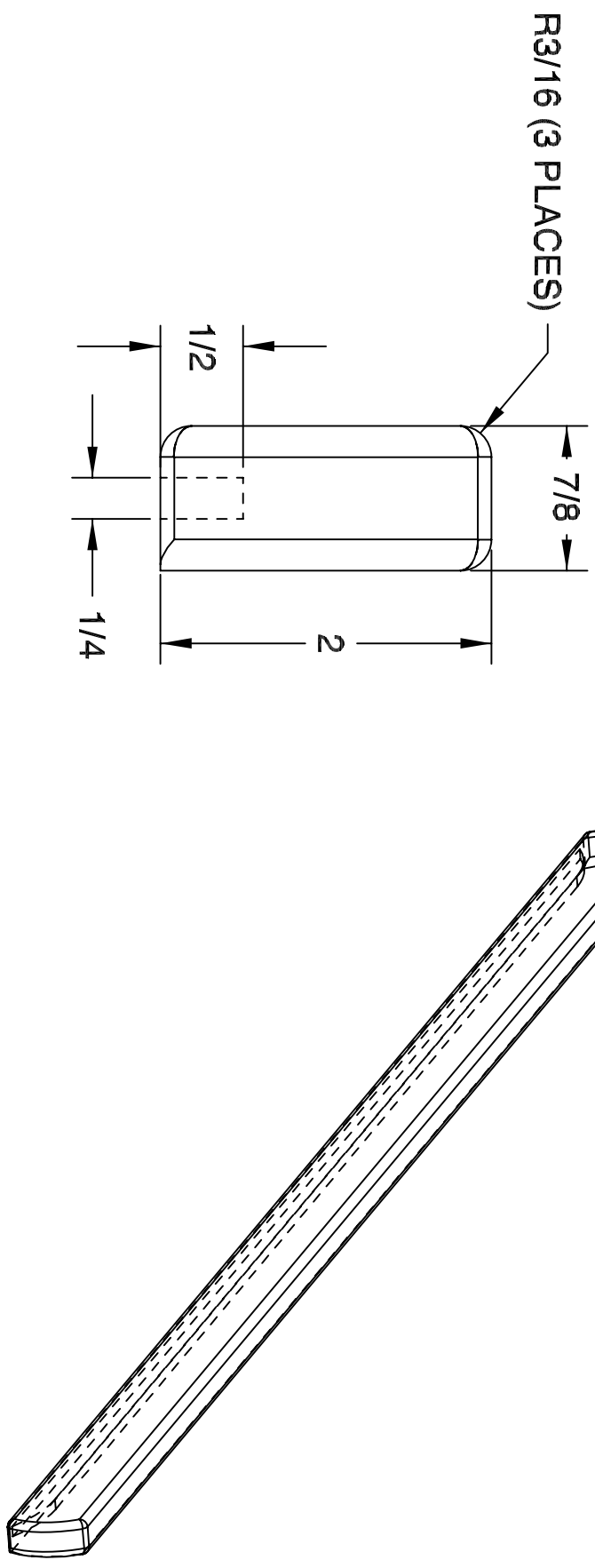


This drawing and information is confidential property.
It may not be copied, or used commercially.
All rights reserved

BACK REST SUPPORT

1001

MTL	SIZE	QTY
OAK	7/8 x 2 x 55 3/4	1

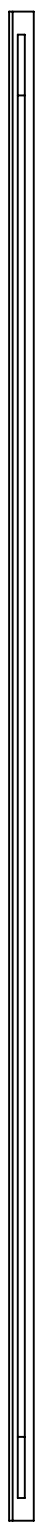
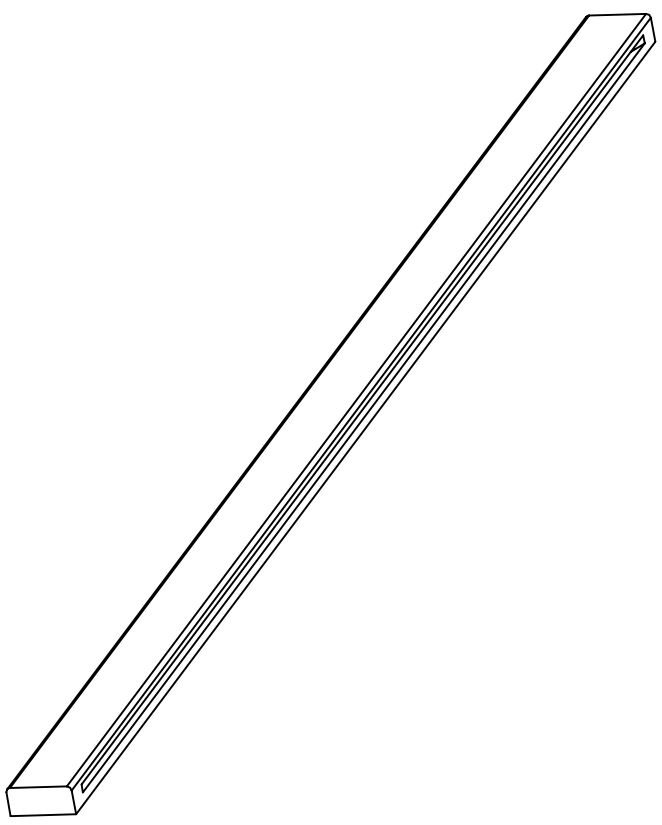
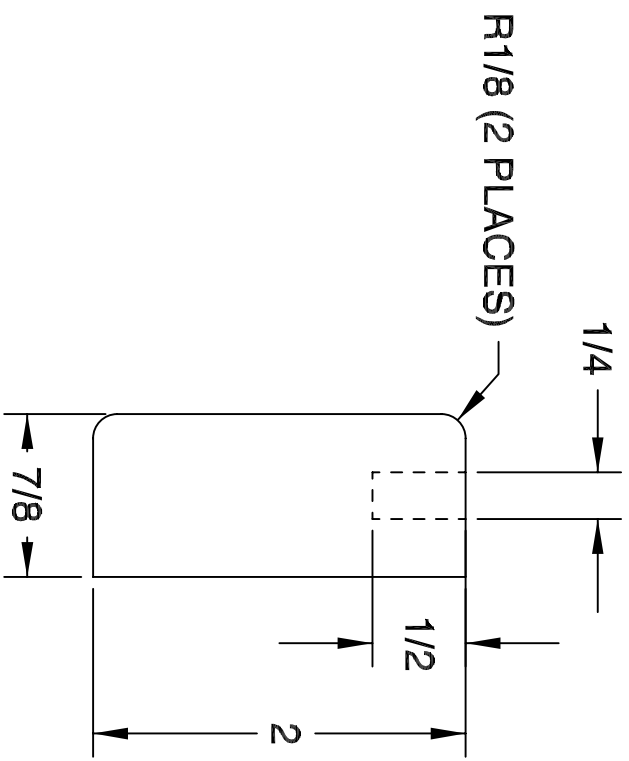


This drawing and information is confidential property.
 It may not be copied, or used commercially.
 All rights reserved

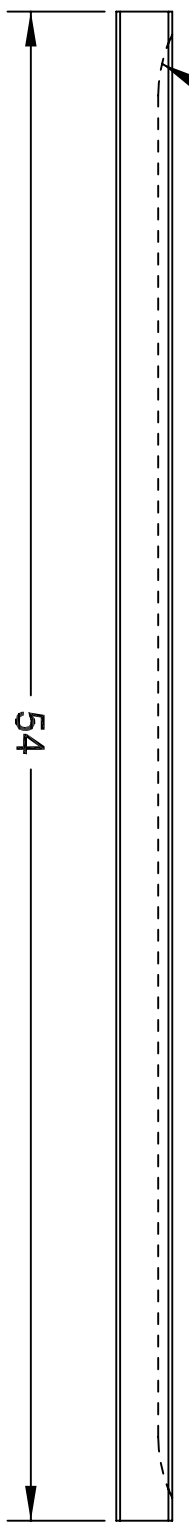
BACK REST TOP RAIL

1002

MTL	SIZE	QTY
OAK	7/8 x 2 x 54	1



DADO STOPS SHORT OF ENDS

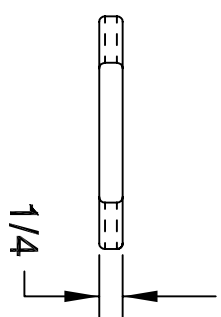
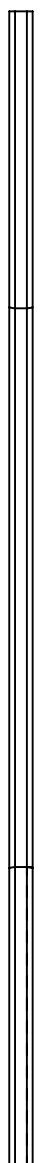
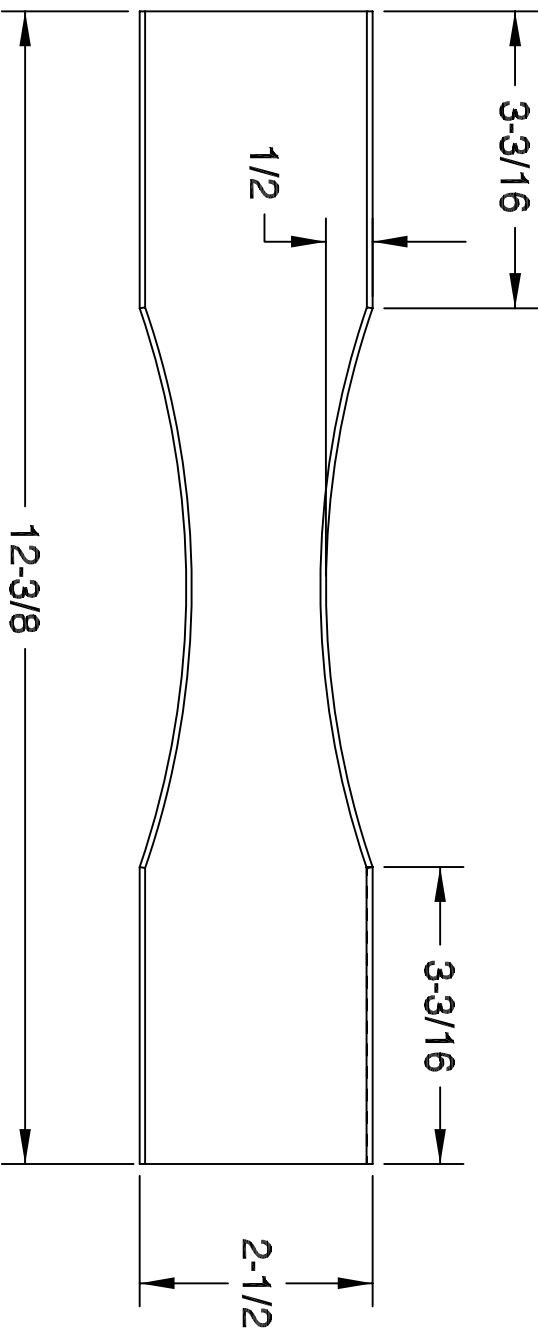
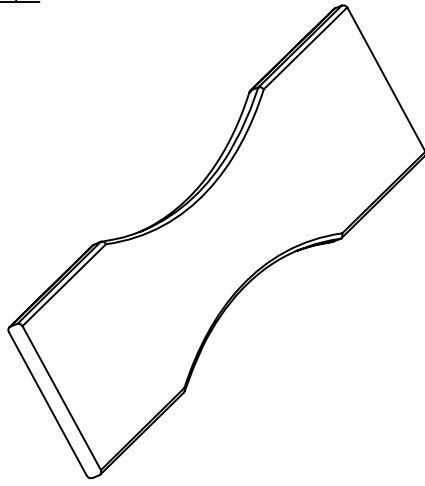


This drawing and information is confidential property.
 It may not be copied, or used commercially.
 All rights reserved

BACK REST BOTTOM RAIL

1003

MTL	SIZE	QTY
OAK	1/4 x 2 1/2 x 12 3/8	20

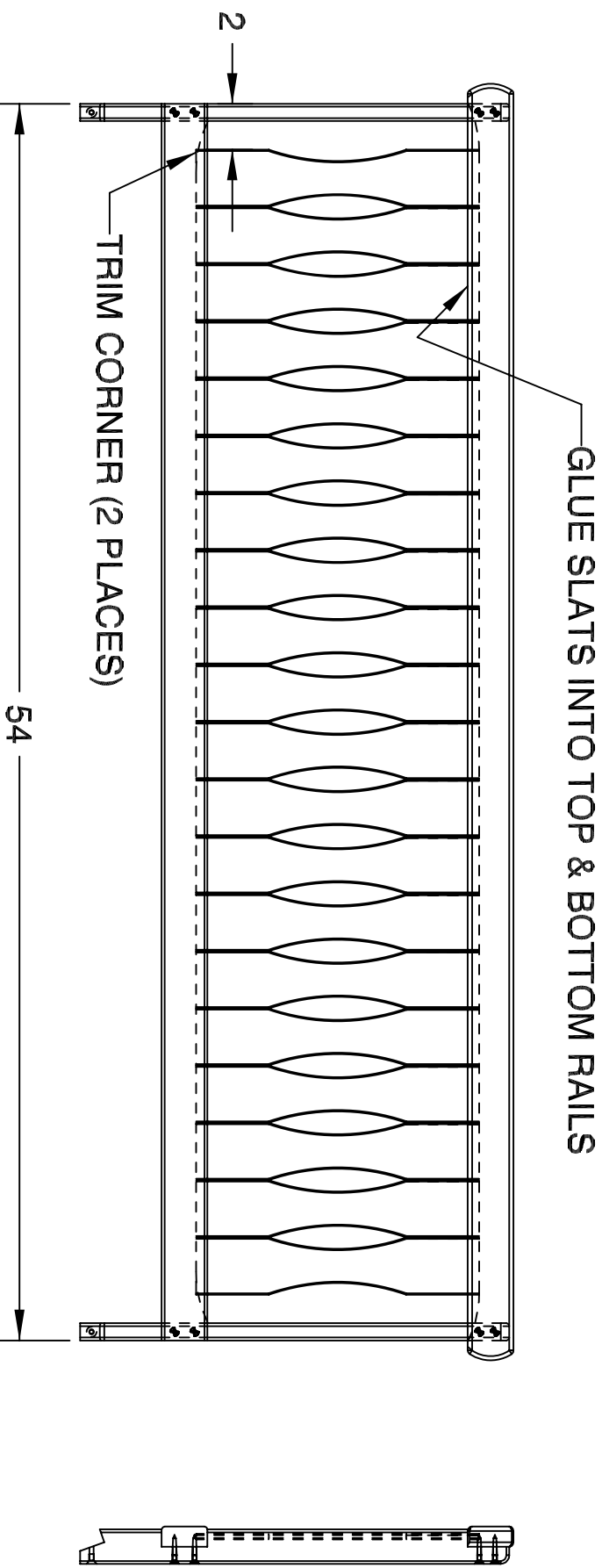


This drawing and information is confidential property.
 It may not be copied, or used commercially.
 All rights reserved

BACK REST SLAT

1004

ITM	QTY	DESCRIPTION
1	1	BACK REST BOTTOM RAIL
2	20	BACK REST SLAT
3	2	BACK REST SUPPORT
4	1	BACK REST TOP RAIL
5	8	SCREW FLAT HD, #10-1 1/4"

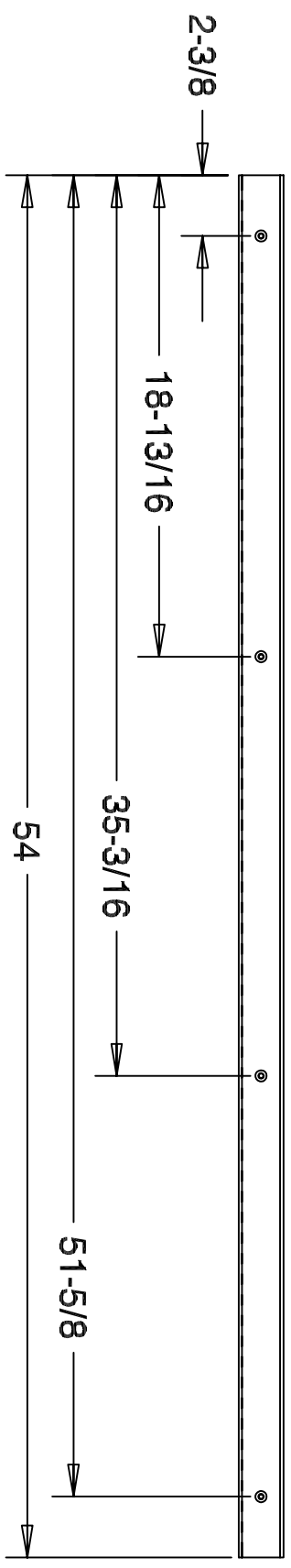
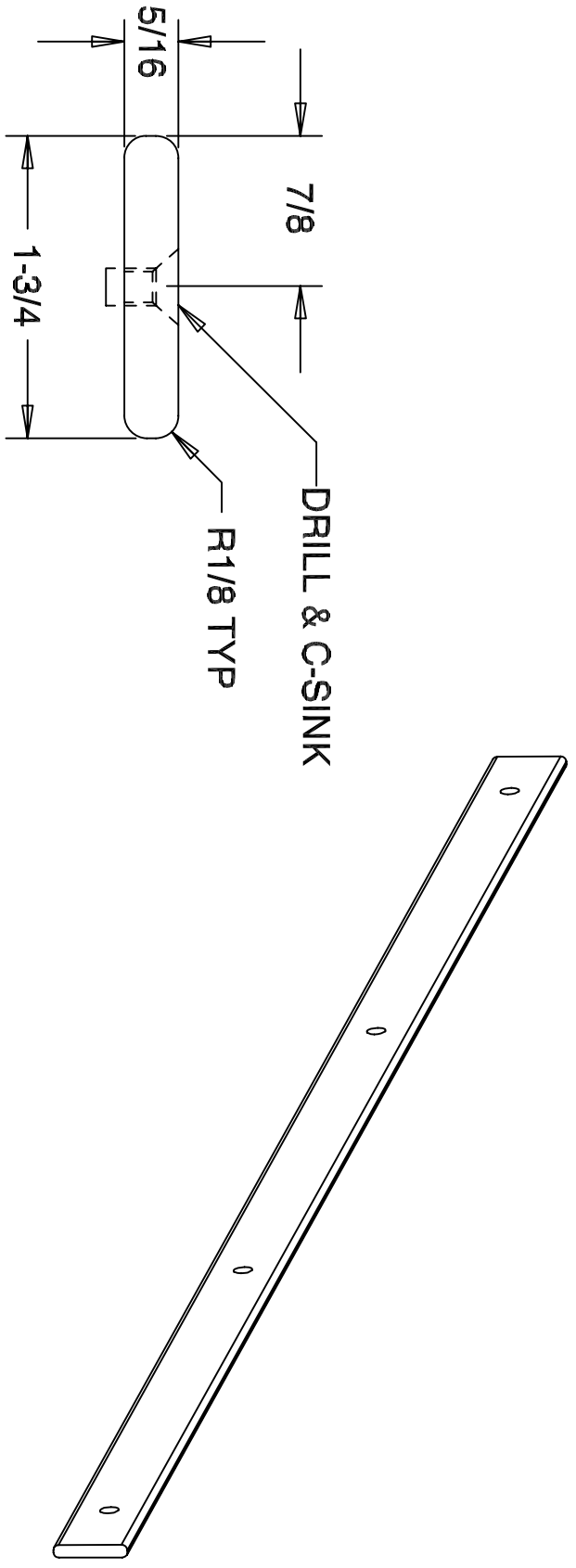


This drawing and information is confidential property.
 It may not be copied, or used commercially.
 All rights reserved

BACK REST

1005

MTL	SIZE	QTY
OAK	5/16 x 1 3/4 x 54	8

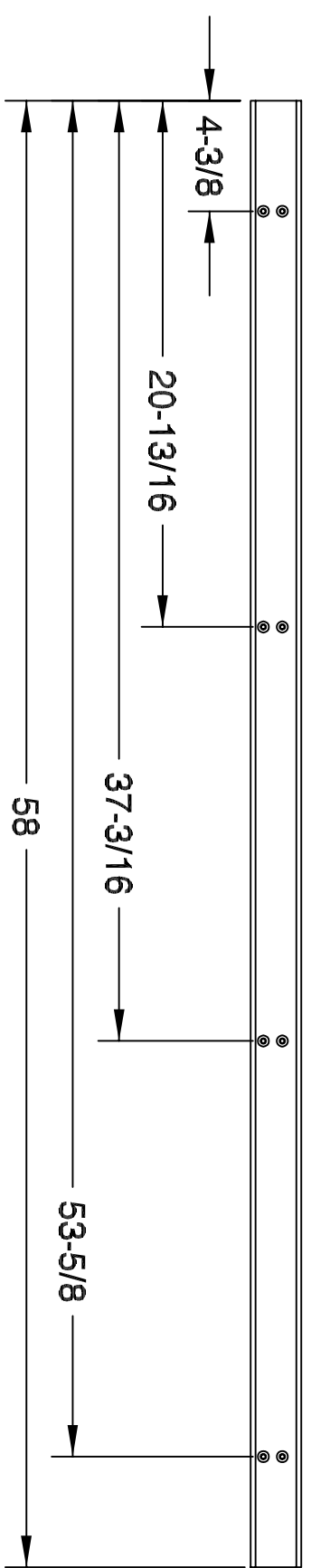
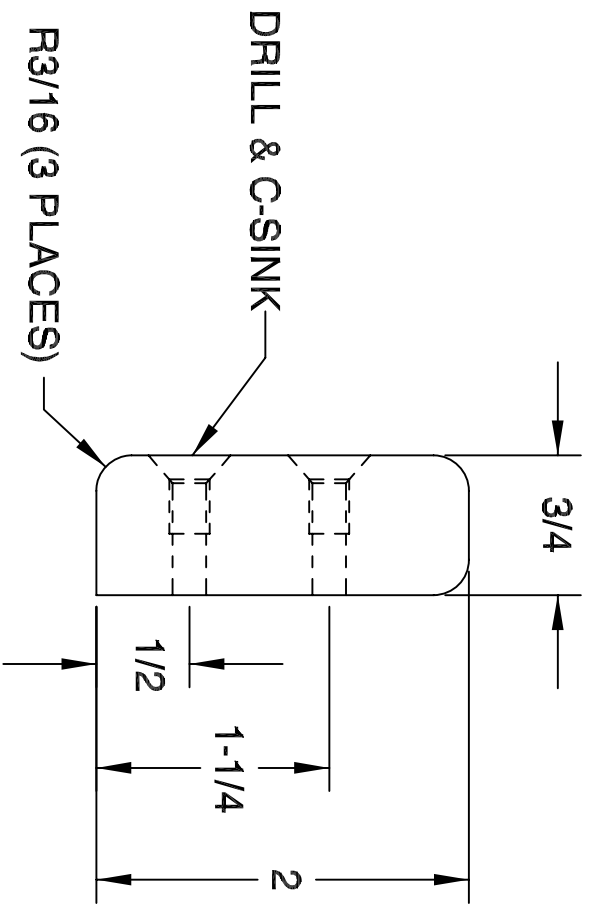
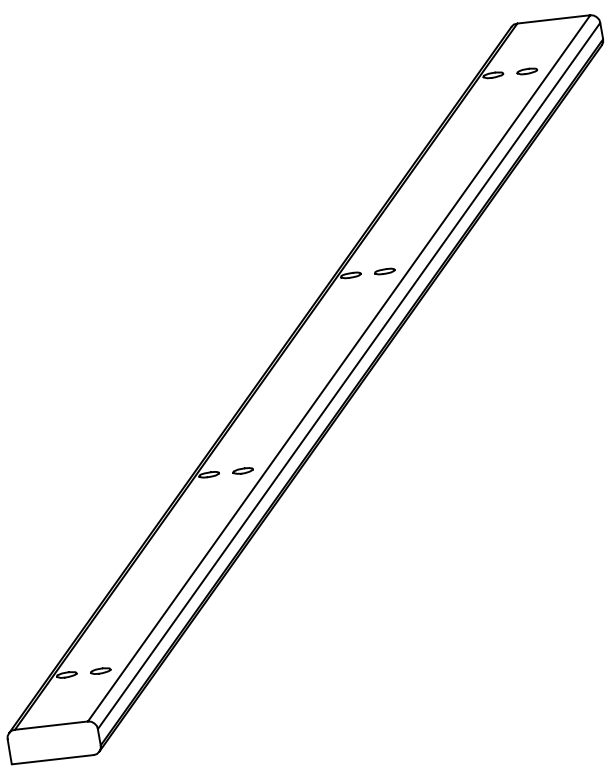


This drawing and information is confidential property.
 It may not be copied, or used commercially.
 All rights reserved

SEAT SLAT

1006

MTL	SIZE	QTY
OAK	3/4 x 2 x 58	2

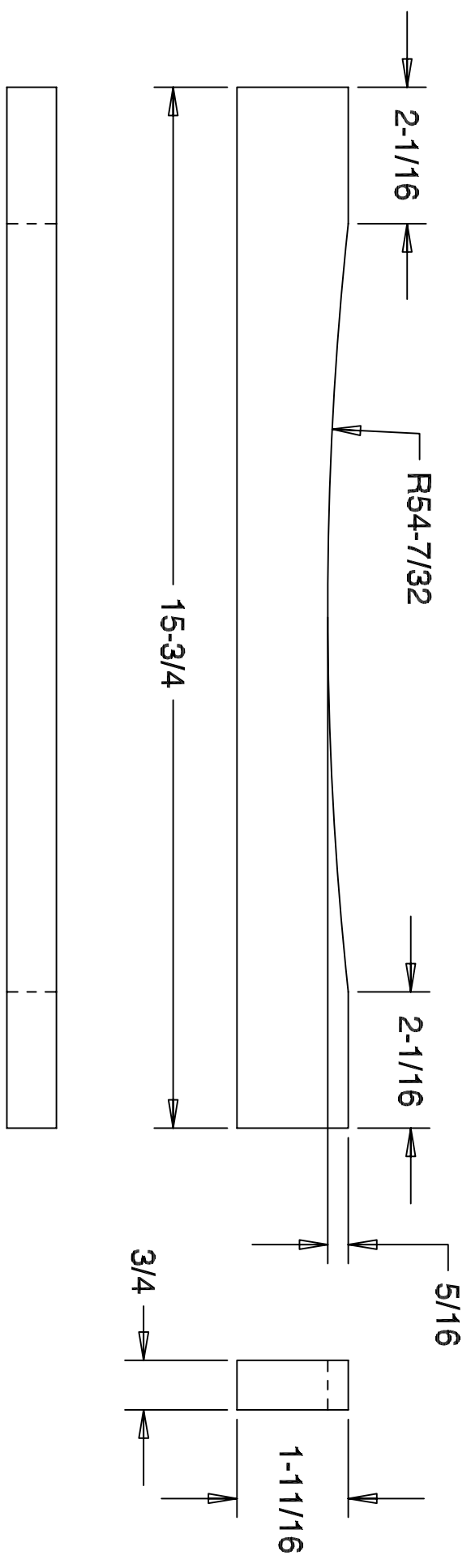
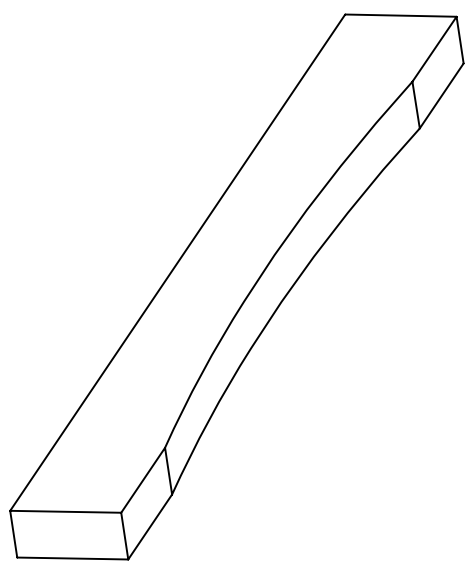


This drawing and information is confidential property.
 It may not be copied, or used commercially.
 All rights reserved

SEAT RAIL

1007

MTL	SIZE	QTY
OAK	3/4 x 1 11/16 x 15 3/4	4

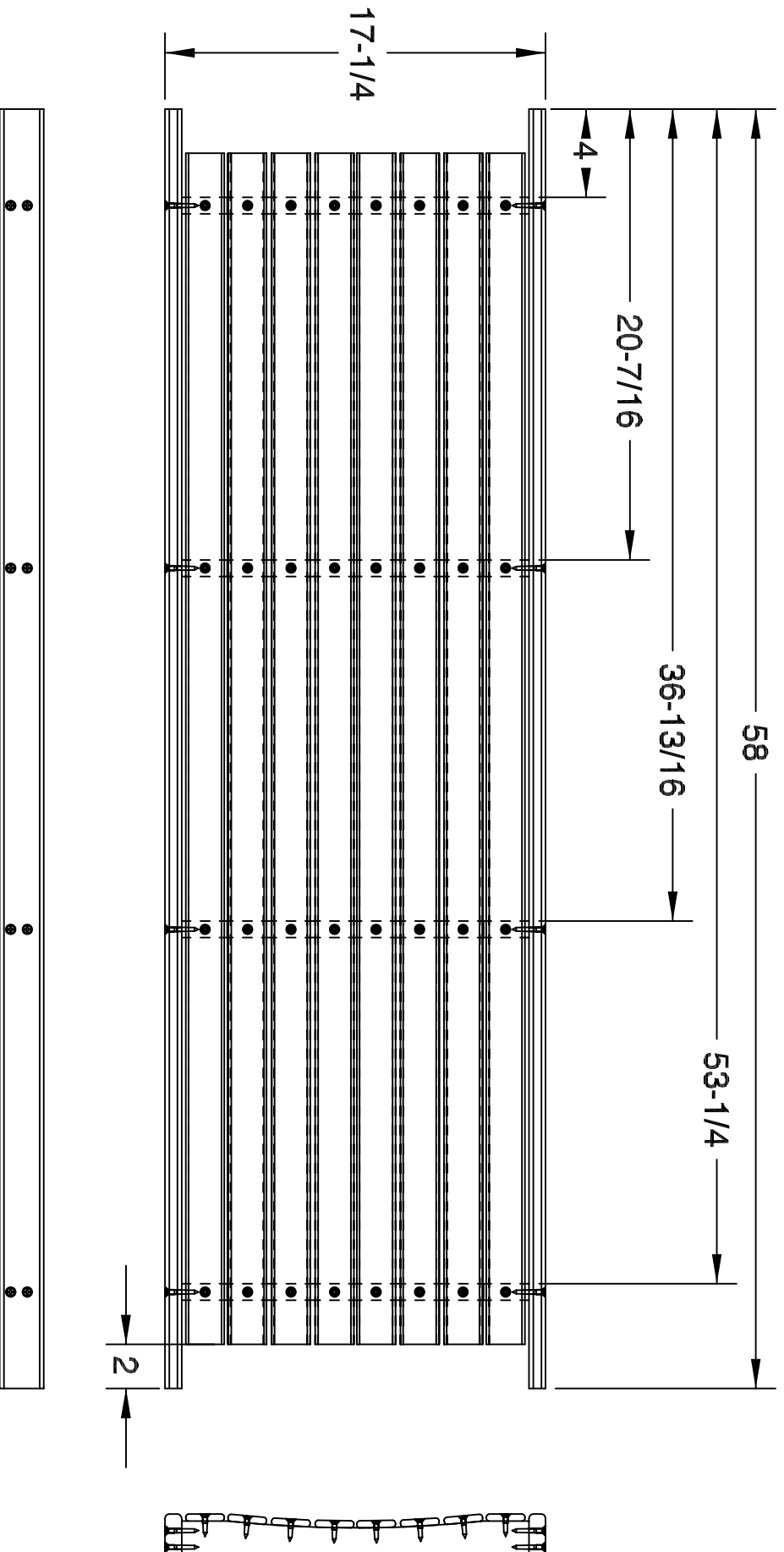


This drawing and information is confidential property.
 It may not be copied, or used commercially.
 All rights reserved

SLAT SUPPORT

1008

ITM	QTY	DESCRIPTION
1	16	SCREW FLAT HD, #10-1 1/2"
2	32	SCREW FLAT HD, #10-1"
3	1	SEAT ASSEMBLY
4	2	SEAT RAIL
5	8	SEAT SLAT
6	4	SLAT SUPPORT

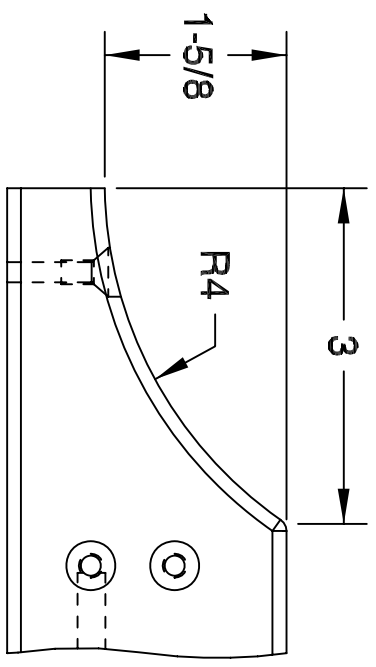


This drawing and information is confidential property.
 It may not be copied, or used commercially.
 All rights reserved

SEAT ASSEMBLY

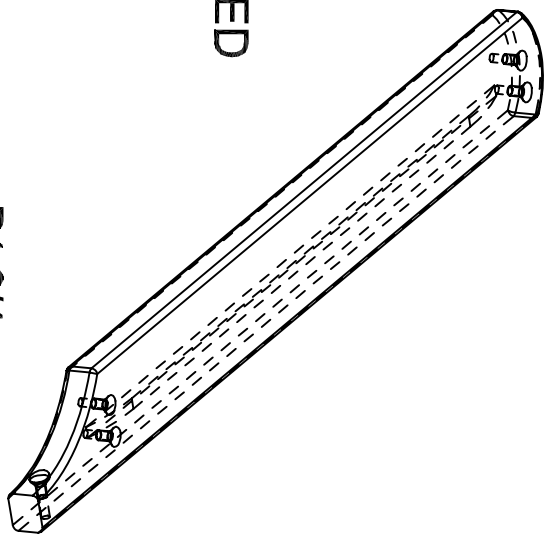
1009

MTL	SIZE	QTY
OAK	3/4 x 2 1/2 x 22 1/4	2

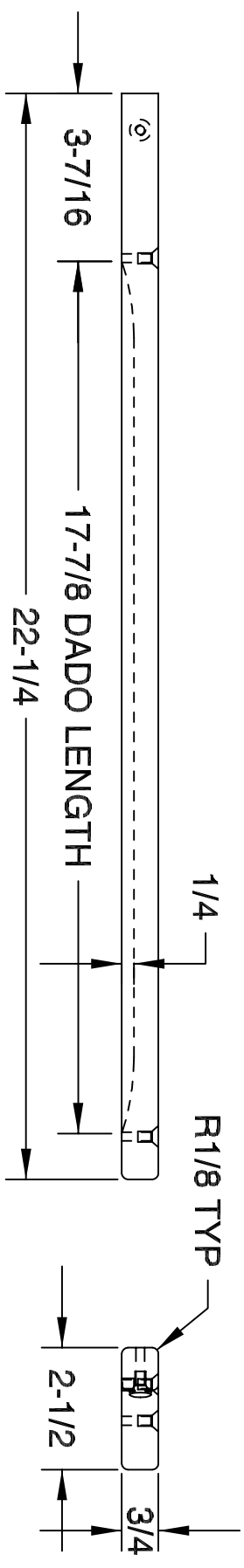
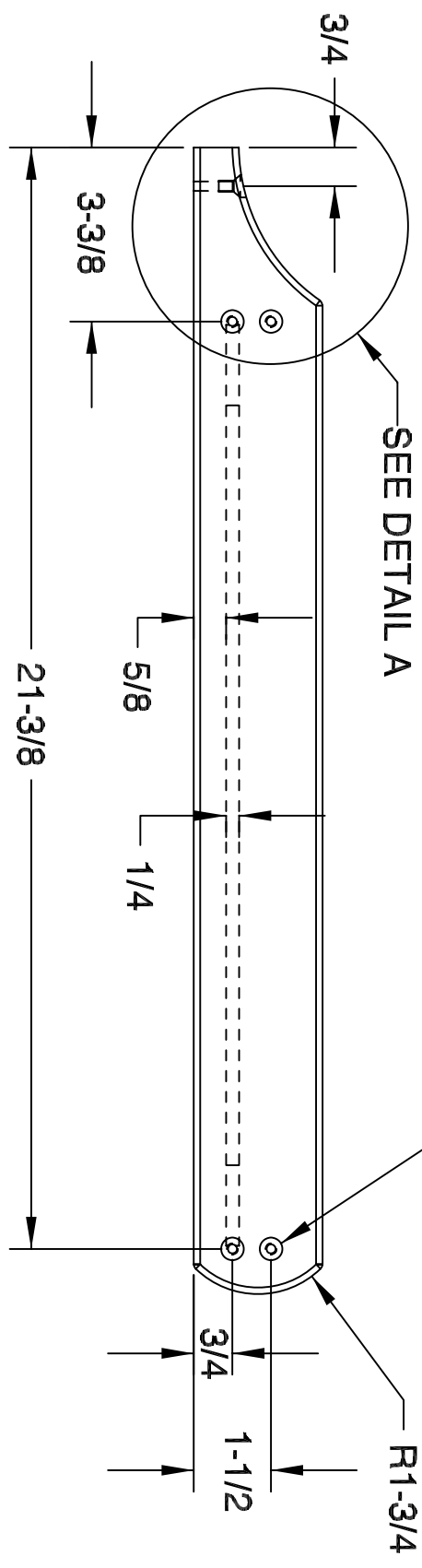


DETAIL A

2 ARM RESTS ARE REQUIRED
MAKE ONE LH & ONE RH



DRILL & C-SINK (5 PLACES)

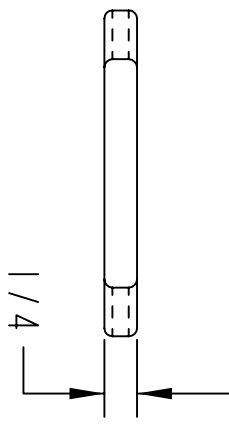
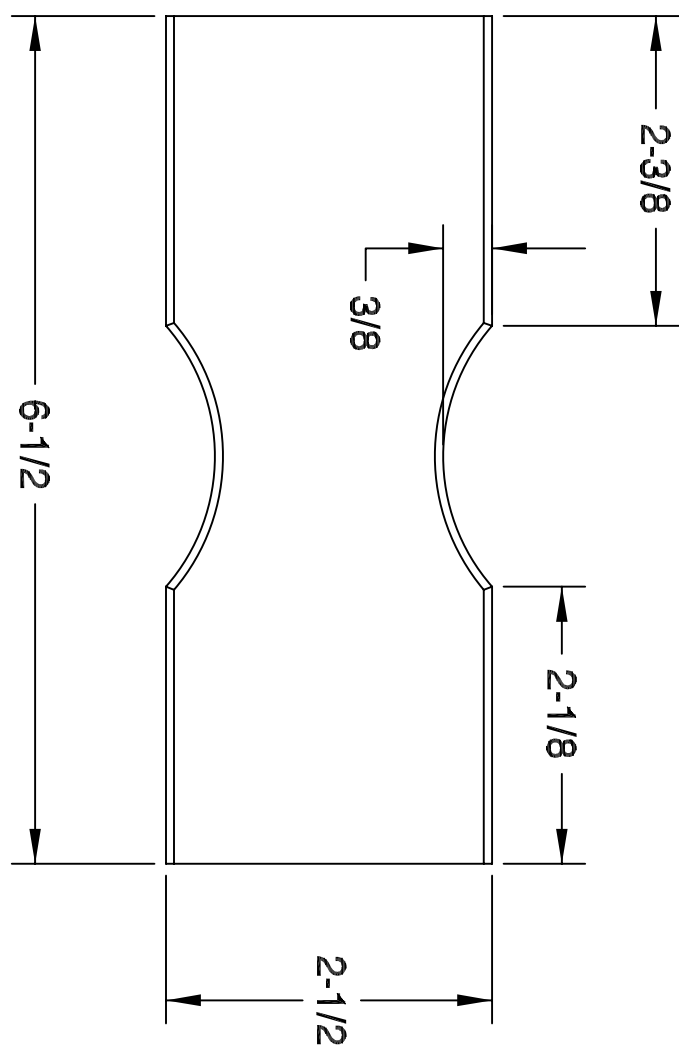
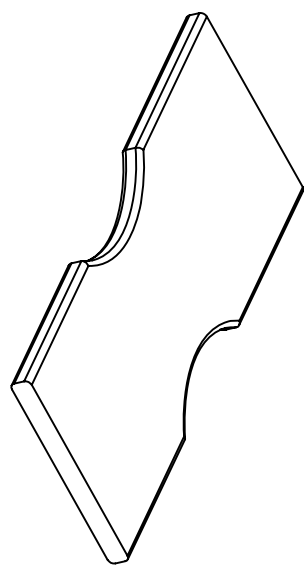


This drawing and information is confidential property.
It may not be copied, or used commercially.
All rights reserved

ARM REST LH

1010

MTL	SIZE	QTY
OAK	1/4 x 2 1/2 x 6 1/2	12

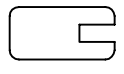
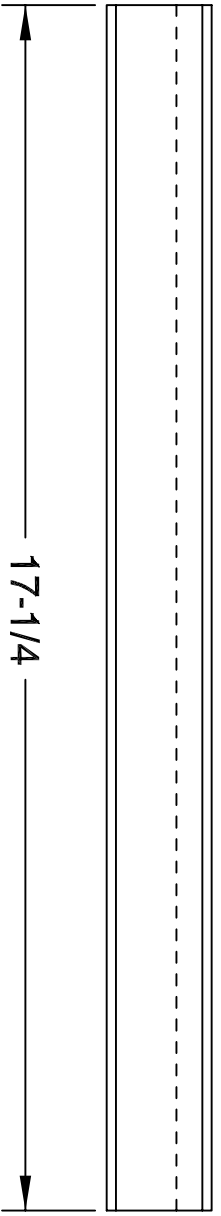
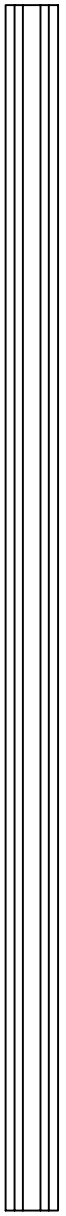
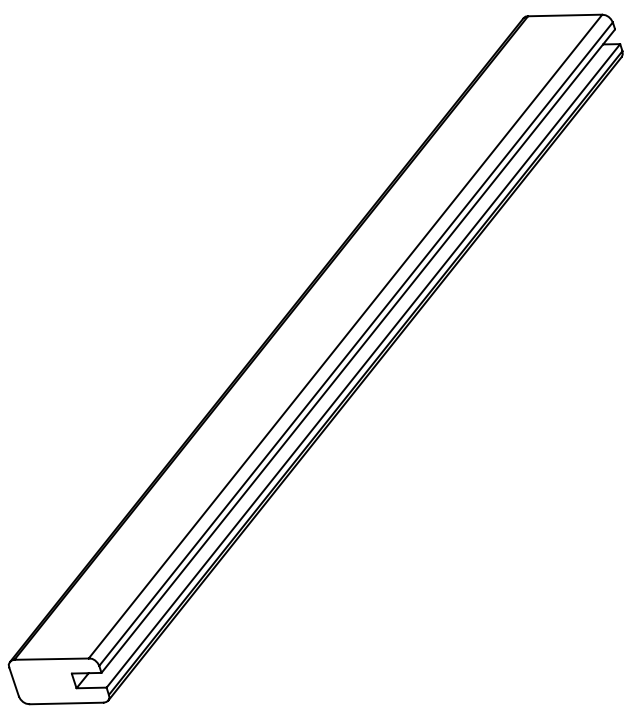
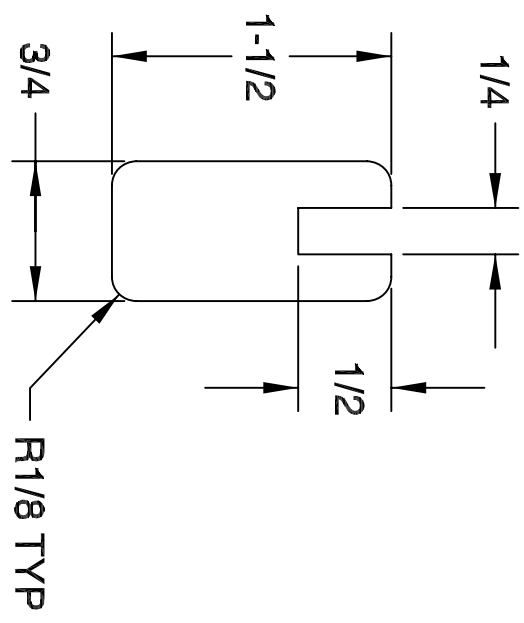


This drawing and information is confidential property.
 It may not be copied, or used commercially.
 All rights reserved

ARM REST SLAT

1011

MTL	SIZE	QTY
OAK	3/4 x 1 1/2 x 17 1/4	2

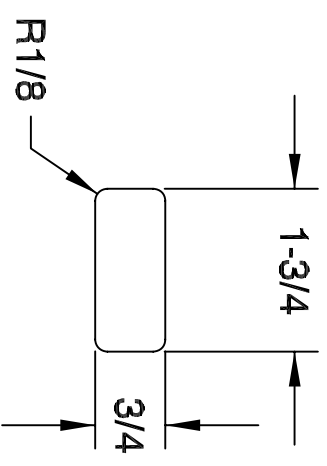
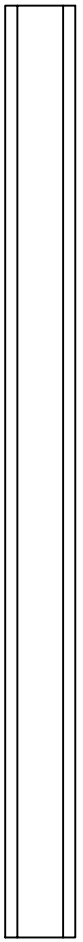
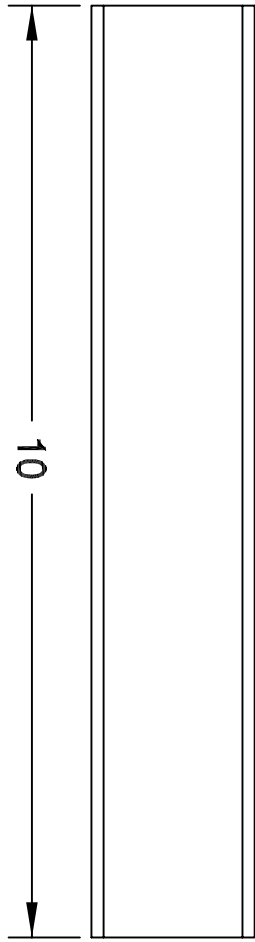
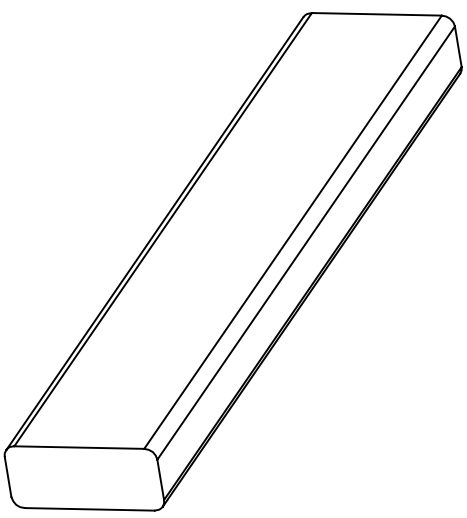


This drawing and information is confidential property.
 It may not be copied, or used commercially.
 All rights reserved

ARM REST LOWER RAIL

1012

MTL	SIZE	QTY
OAK	3/4 X 1 3/4 X 10	4



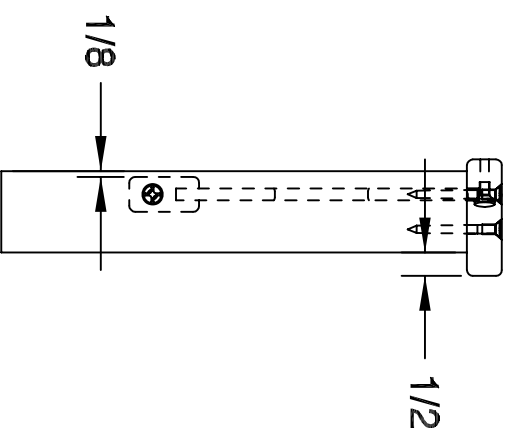
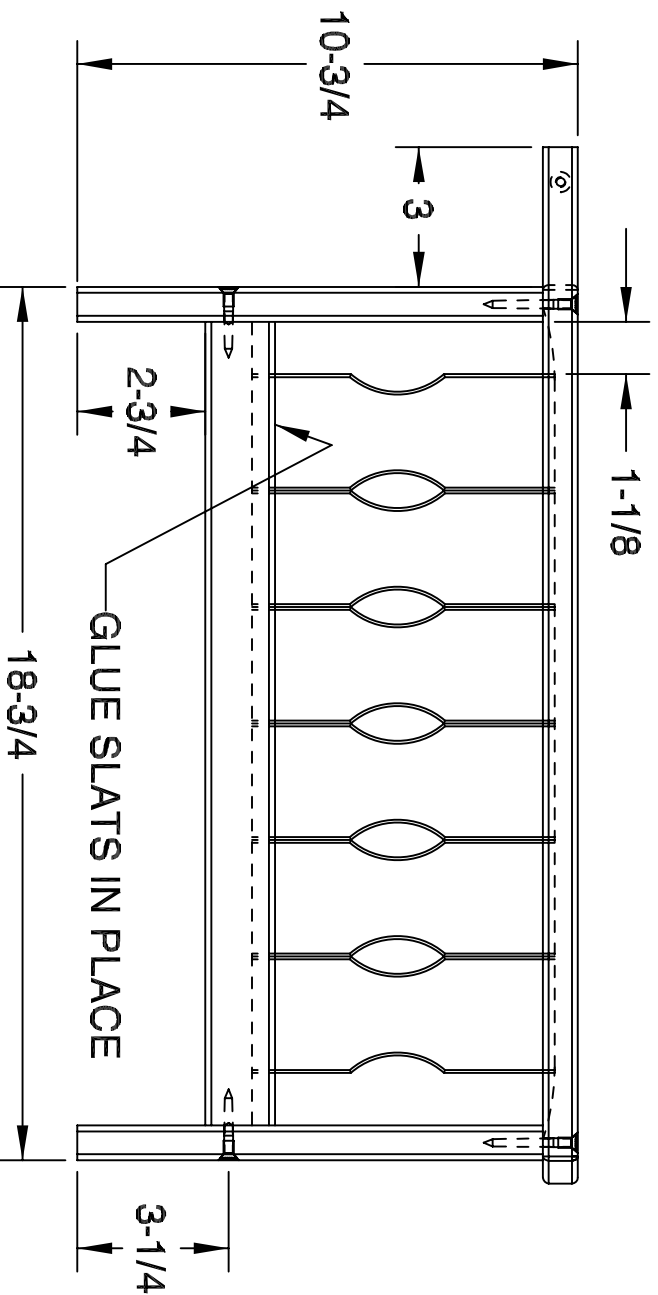
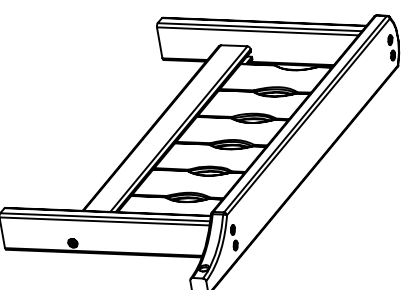
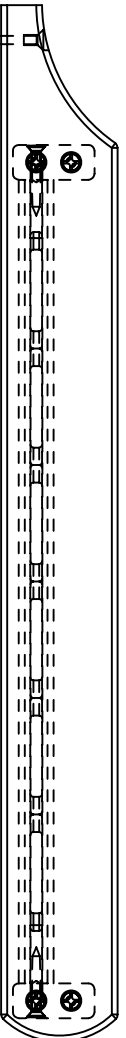
This drawing and information is confidential property.
 It may not be copied, or used commercially.
 All rights reserved

ARM REST VERT SUPPORT

1013

**TWO ASSEMBLIES ARE REQUIRED
ONE LH AND ONE RH**

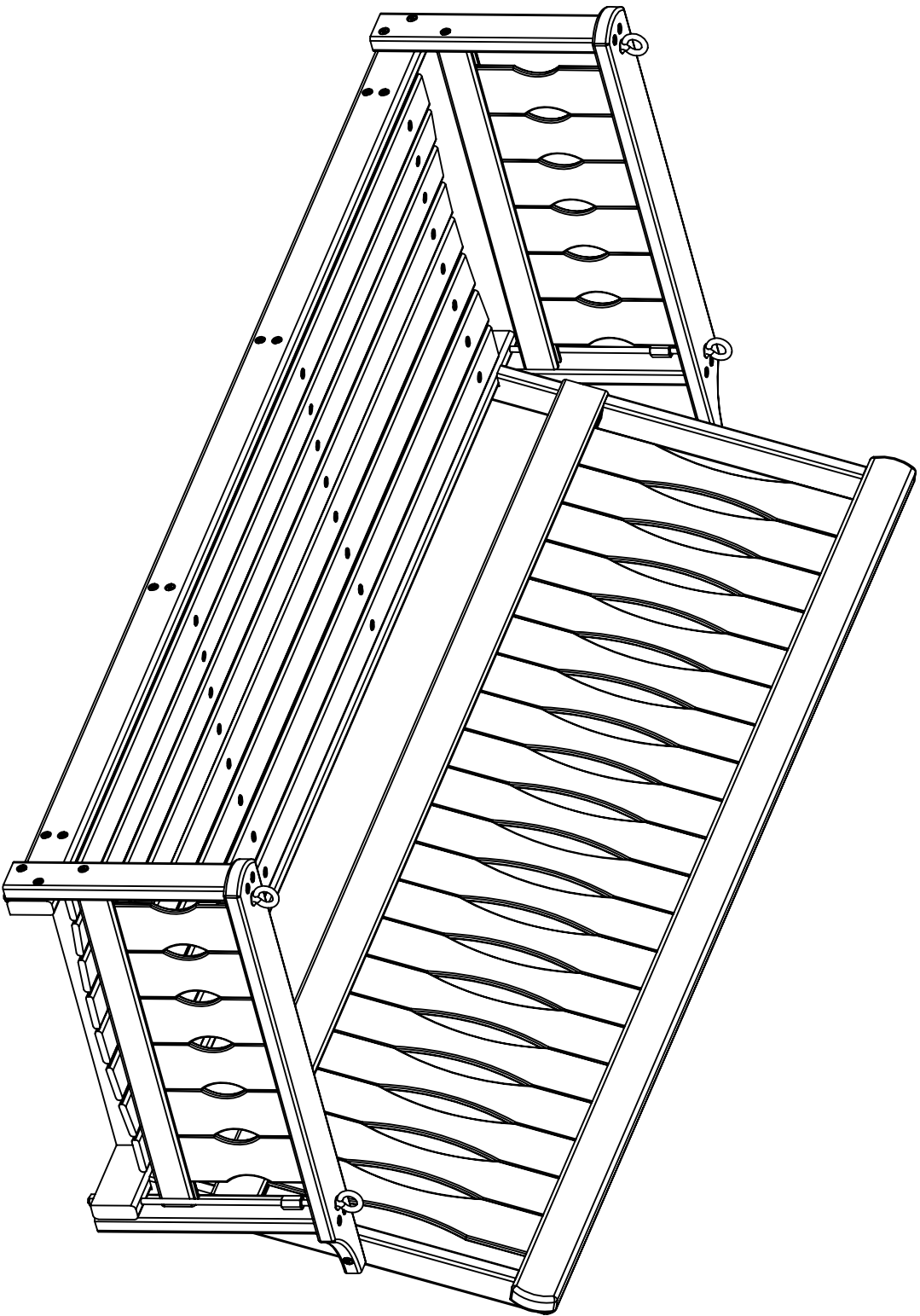
ITM	QTY	DESCRIPTION
1	1	ARM REST LH
2	1	ARM REST LOWER RAIL
3	6	ARM REST SLAT
4	2	ARM REST VERT SUPPORT
5	2	SCREW FLAT HD, #10-1 1/2"
6	4	SCREW FLAT HD, #10-2"



This drawing and information is confidential property.
It may not be copied, or used commercially.
All rights reserved

ARM REST ASSEMBLY LH

1014

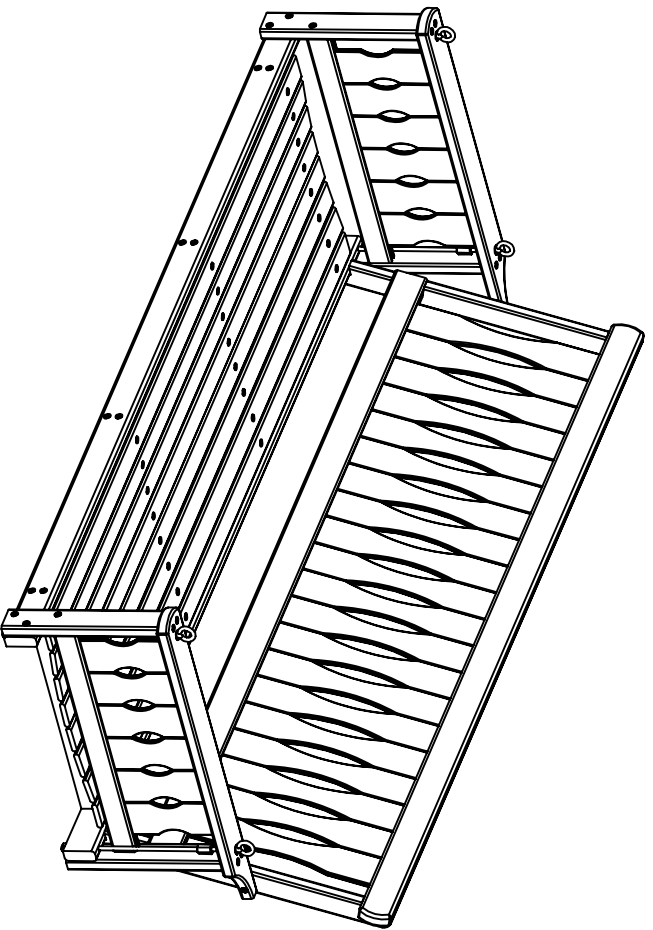


This drawing and information is confidential property.
It may not be copied, or used commercially.
All rights reserved

PORCH SWING

1017

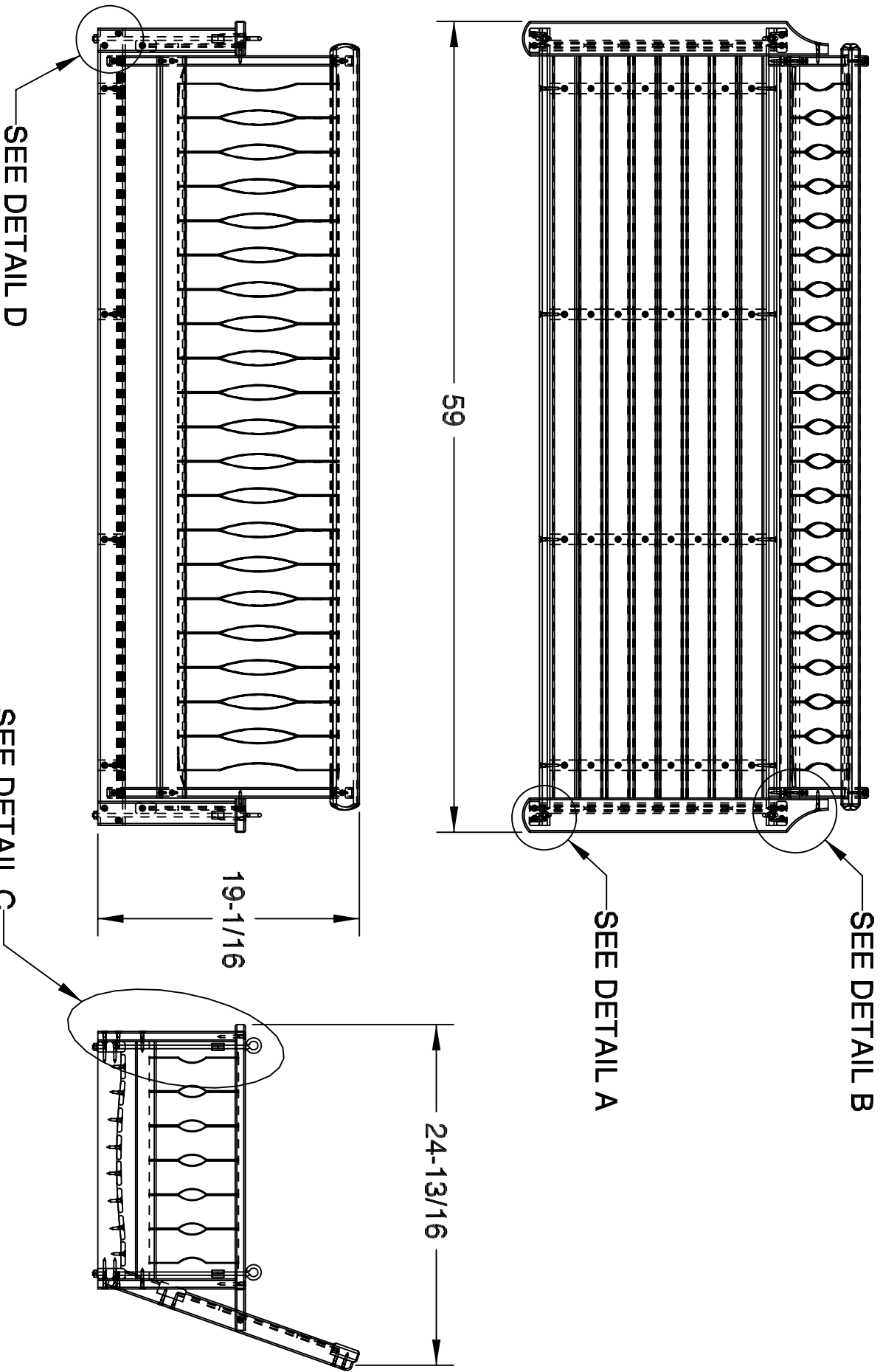
ITM	QTY	DESCRIPTION	SIZE
1	1	ARM REST ASSEMBLY LH	
2	1	ARM REST ASSEMBLY RH	
3	1	ARM REST LH	3/4 x 2 1/2 x 22 1/4
4	2	ARM REST LOWER RAIL	3/4 x 1 1/2 x 17 1/4
5	1	ARM REST RH	
6	12	ARM REST SLAT	1/4 x 2 1/2 x 6 1/2
7	4	ARM REST VERT SUPPORT	3/4 x 1 3/4 x 10
8	1	BACK REST	
9	1	BACK REST BOTTOM RAIL	7/8 x 2 x 54
10	20	BACK REST SLAT	1/4 x 2 1/2 x 12 3/8
11	2	BACK REST SUPPORT	3/4 x 1 1/2 x 18 3/4
12	1	BACK REST TOP RAIL	7/8 x 2 x 55 3/4
13	4	COUPLING NUT SSTL, 1/4-20	
14	4	EYE BOLT SSTL, 1/4-20	
15	4	NUT HEX SSTL, 1/4-20	
16	22	SCREW FLAT HD, #10-1 1/2"	
17	18	SCREW FLAT HD, #10-1 1/4"	
18	32	SCREW FLAT HD, #10-1"	
19	8	SCREW FLAT HD, #10-2"	
20	1	SEAT ASSEMBLY	
21	2	SEAT RAIL	3/4 x 2 x 58
22	8	SEAT SLAT	5/16 x 1 3/4 x 54
23	4	SLAT SUPPORT	3/4 x 1 11/16 x 15 3/4
24	4	THREADED ROD SSTL, 1/4-20	
25	8	WASHER SSTL, 1/4"	



This drawing and information is confidential property.
It may not be copied, or used commercially.
All rights reserved

PORCH SWING

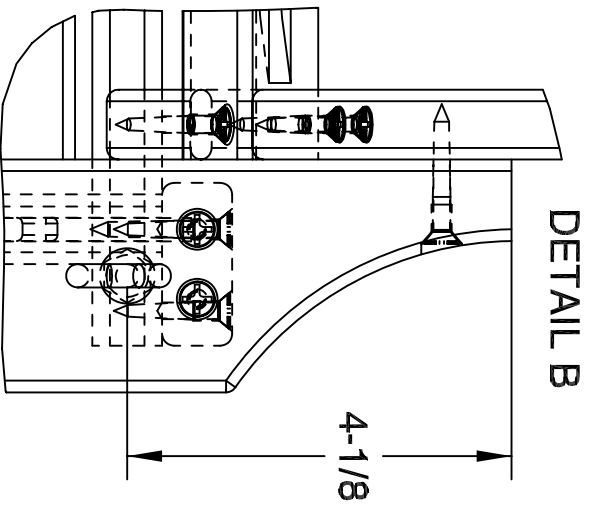
1017



This drawing and information is confidential property.
 It may not be copied, or used commercially.
 All rights reserved

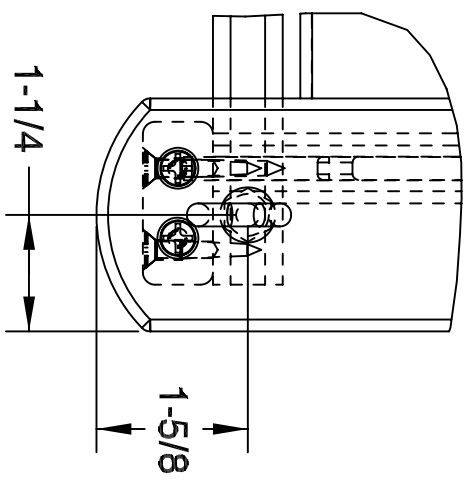
PORCH SWING

1017



DETAIL B

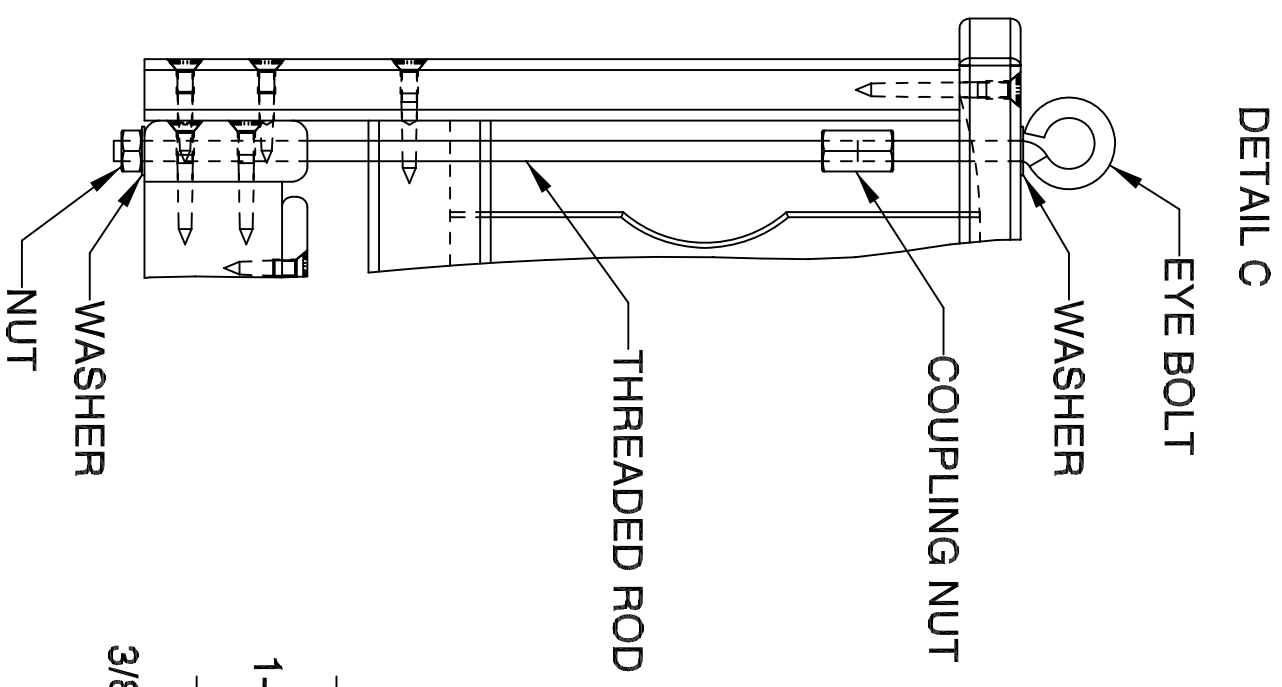
4-1/8



DETAIL A

1-1/4

1-5/8



DETAIL C

EYE BOLT

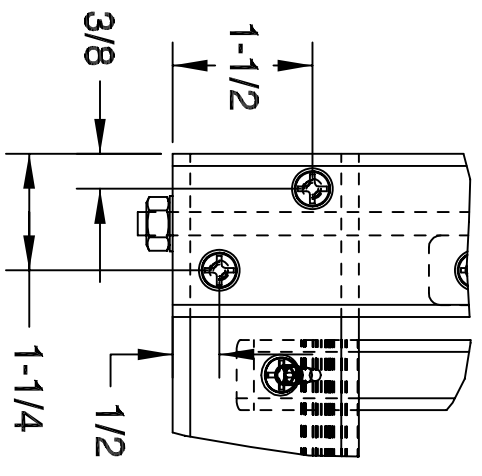
WASHER

COUPLING NUT

THREADED ROD

WASHER

NUT



DETAIL D

1-1/2

3/8

1-1/4

1/2

This drawing and information is confidential property.
It may not be copied, or used commercially.
All rights reserved

PORCH SWING

1017